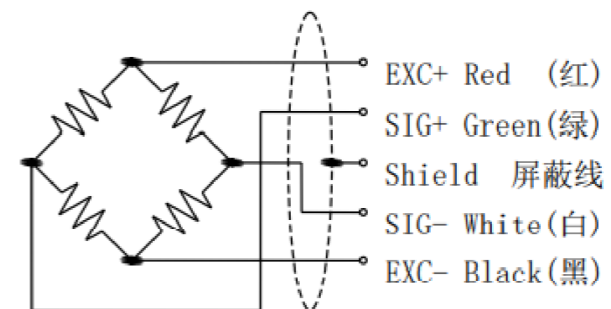


技术参数 TECHNICAL PARAMETERS

| 参数 | Specifications | 技术指标/Technique |
|------------|----------------------------|------------------|
| 量程范围 | Capacity | 4kg, 8kg, 10kg |
| 灵敏度 | Rated output | 2.0mV/V ± 20% |
| 零点 | Zero blance | ±0.05mV/V |
| 非线性 | Non-linearity | ≤0.01%F.S. |
| 滞后 | Hysteresis | ±0.01%F.S. |
| 重复性 | Repeatability | ±0.1g |
| 蠕变 (30min) | Creep(30min) | ±0.01%F.S. |
| 温度灵敏度漂移 | Temp effect on output | 0.05%F.S/10°C |
| 零点温度漂移 | Temp effect on zero | 0.05%F.S/10°C |
| 输入电阻 | Input impedance | 410 ± 10 Ω |
| 输出电阻 | Output impedance | 350 ± 5 Ω |
| 绝缘电阻 | Insulation | ≥5000M Ω /100VDC |
| 激励电压 | Excitation Voltage | 5-15V |
| 最大激励电压 | Maximum excitation Voltage | 15V |
| 温度补偿范围 | Compensated temp range | -10-60°C |
| 工作温度范围 | Operation temp range | -20-80°C |
| 安全超载 | Safe overload | 150%F.S. |
| 极限超载 | Ultimate overload | 200%F.S. |
| 电缆线尺寸 | Cable size | Φ 3x3000mm |
| 材料 | Material | 铝合金 |
| 防护等级 | Protection calss | IP65 |

配线图/Wiring Code



| 未标偏差极限偏差数值 | | | | |
|------------|---------|---------|---------|---------|
| 尺寸分段 | f (精密机) | m (中等级) | c (粗糙级) | v (最粗级) |
| 0-6 | ±0.05 | ±0.1 | ±0.2 | ±0.5 |
| 6-30 | ±0.1 | ±0.2 | ±0.5 | ±1 |
| 30-120 | ±0.15 | ±0.3 | ±0.8 | ±1.5 |
| 120-400 | ±0.2 | ±0.5 | ±1.2 | ±2.5 |
| 400-1000 | ±0.3 | ±0.8 | ±2 | ±4 |
| 1000-2000 | ±0.5 | ±1.2 | ±3 | ±6 |
| 2000-6000 | ±1 | ±2 | ±4 | ±8 |

| | |
|----|----|
| | |
| 设计 | 制图 |
| 审核 | 批准 |

| | |
|-----------------------------|--------|
| 组合式力传感器 SWKJ8084 | |
| 日期: | 版本号: A |
| 材料: 铝合金 | |